

# Flection Wall (LED)

WS865\_LED 1.1



## GENERAL PRODUCT INFORMATION:



This product is suitable for damp locations.

These fixtures are intended to be installed utilizing NEC compliant junction boxes.

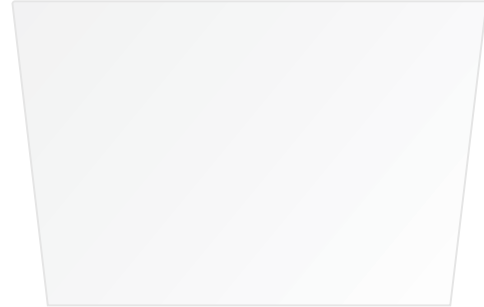
This product may be dimmed using a low voltage electronic dimmer.

This instruction shows a typical installation.

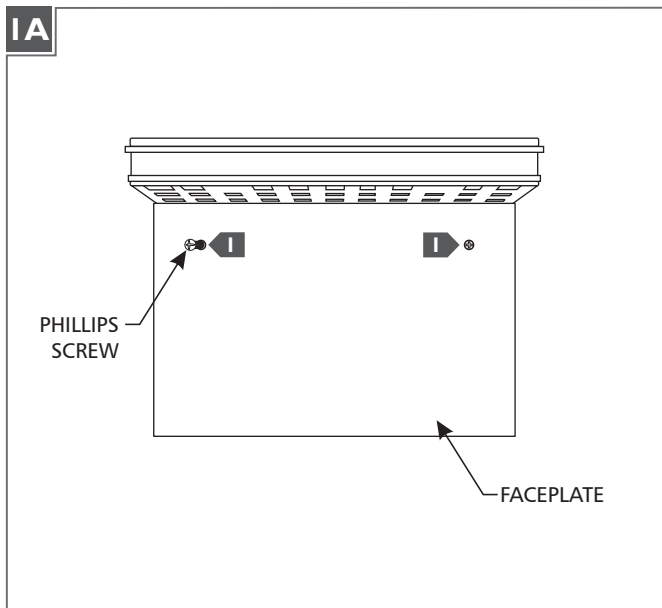
### CAUTION - RISK OF FIRE

This product must be installed in accordance with the applicable installation code by a person familiar with the construction and operation of the product and the hazards involved.

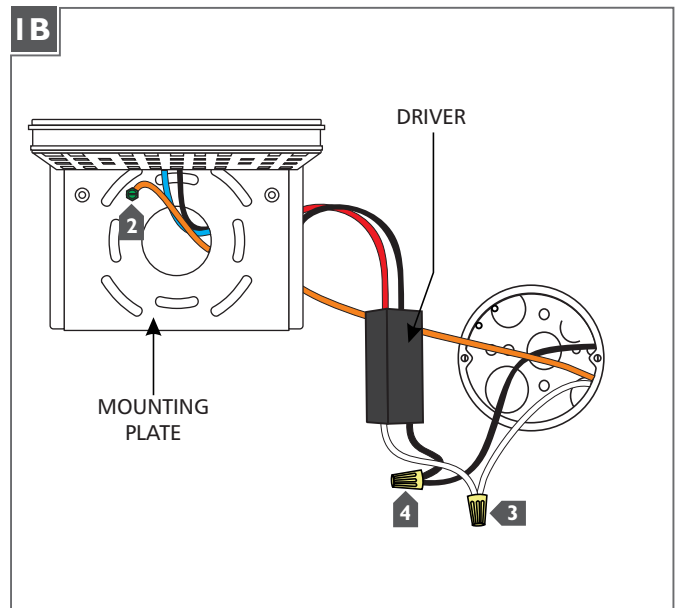
Use minimum 90°C supply conductors.



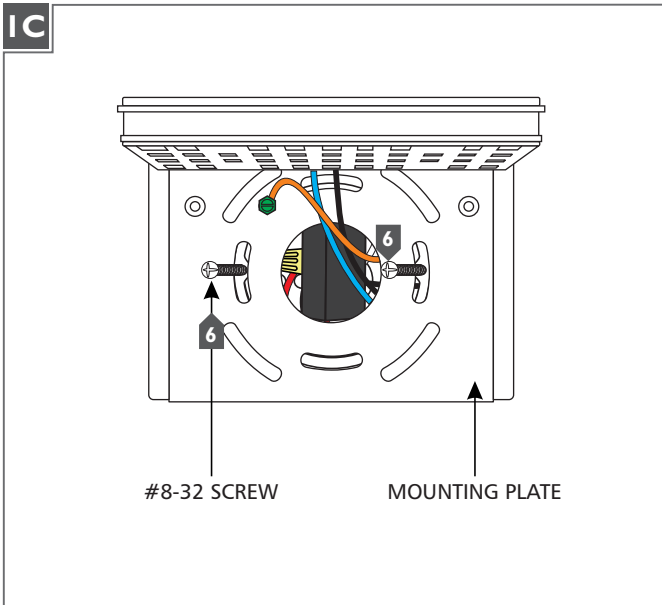
## Install the Fixture



- 1 Separate the faceplate from the mounting plate by removing the two Phillips screws.

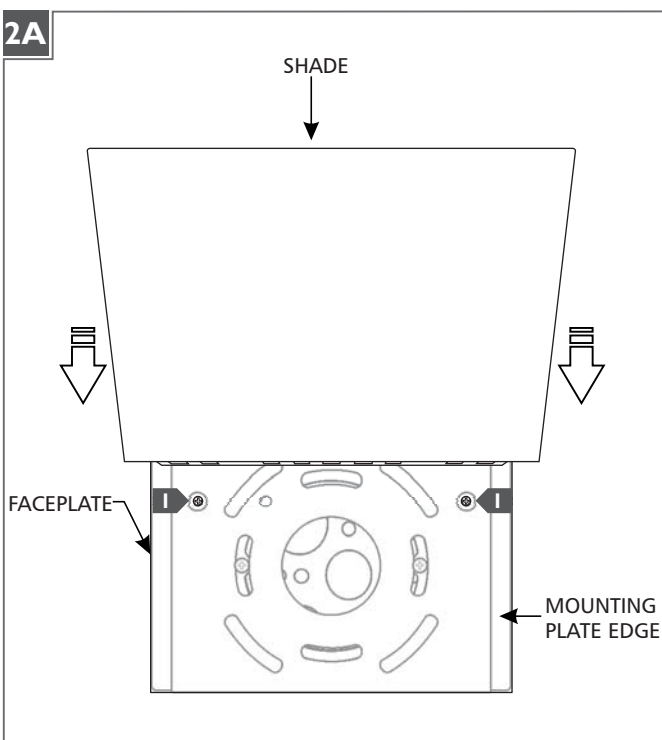


- 2 Connect the mounting plate ground wire to a suitable ground in accordance with local electrical codes.
- 3 Connect the white driver wire to the neutral power line wire with a wire nut.
- 4 Connect the black driver wire to the hot power line wire with a wire nut.



- 5** Properly place the driver, all wires, and wire nut connections into the electrical box.
- 6** Attach the mounting plate to the electrical box using the two #8-32 screws provided.

**Install the Shade**



- 1** Reinstall the faceplate to the mounting plate (reversal of 1A).
- 2** Slide the shade completely onto the mounting plate edges to secure it in place.

**SAVE THESE INSTRUCTIONS!**



7400 Linder Ave, Skokie, IL 60077  
800.323.3226 - 847.626.6300

[www.lblighting.com](http://www.lblighting.com)

© 2015 LBL Lighting. All rights reserved. The "LBL Lighting" graphic is a registered trademark of LBL Lighting. LBL Lighting reserves the right to change specifications for product improvements without notification.  
A Generation Brands Company