

interlace 18 suspension

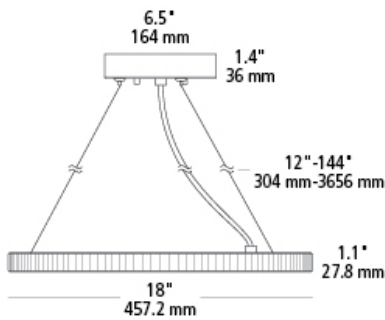
DESCRIPTION

An 18-inch aluminum outer ring is machined to receive hundreds of hand-strung strands of stainless steel cable which create an intricate, interwoven pattern. Powerful LEDs shine inward upon the reflective cables to create visually interesting general illumination. Independent suspension cables allow multiple hanging angles. Includes 12' of field-cuttable cable. Includes (1) 25 watt 2000 lumen 80 CRI 2700K LED module. Dimmable with a low-voltage electronic dimmer. 120v or 277v.



WEIGHT

4lb / 1.81kg ±



ORDERING INFORMATION

model	finish	lamp
SU832	BL rubberized black	LED827 LED module 25w 2700K 120v
	SC satin nickel	LED827277 LED module 25w 2700K 277v

FIXTURE TYPE: _____

JOB NAME: _____

NOTES: _____



7400 Linder Avenue
Skokie, Illinois 60077

T 847.626.6300
F 847.626.6350

www.lblighting.com



©2016 LBL Lighting. All Rights Reserved. The "LBL Lighting" graphic is a registered trademark of LBL Lighting. LBL Lighting reserves the right to change specifications for product improvements without notification.