

# Ornata Pendant

LP945\_ 1.0



Suspension

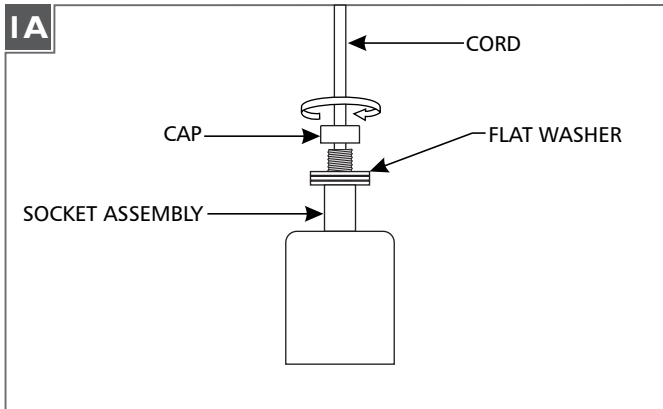
## GENERAL PRODUCT INFORMATION:



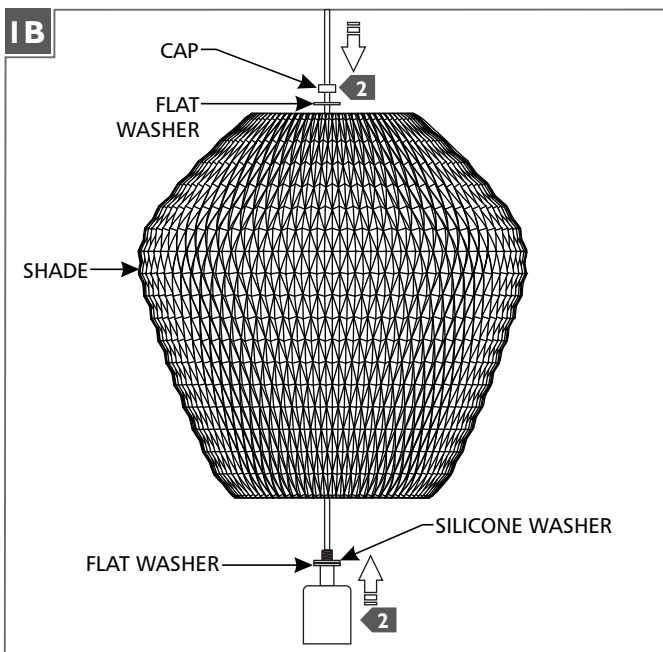
This product is suitable for damp locations.



## Assemble the Pendant

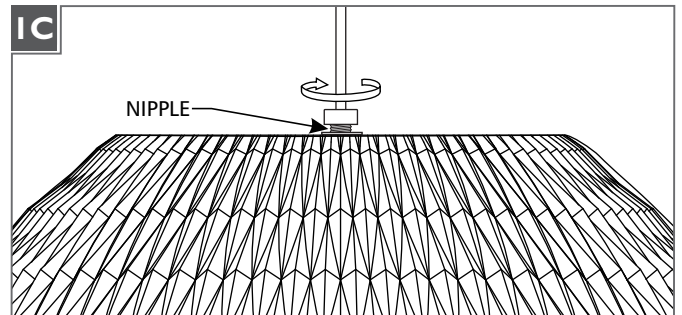


**1** Unscrew fixture cap and remove the cap and top flat washer from the socket assembly and cord.

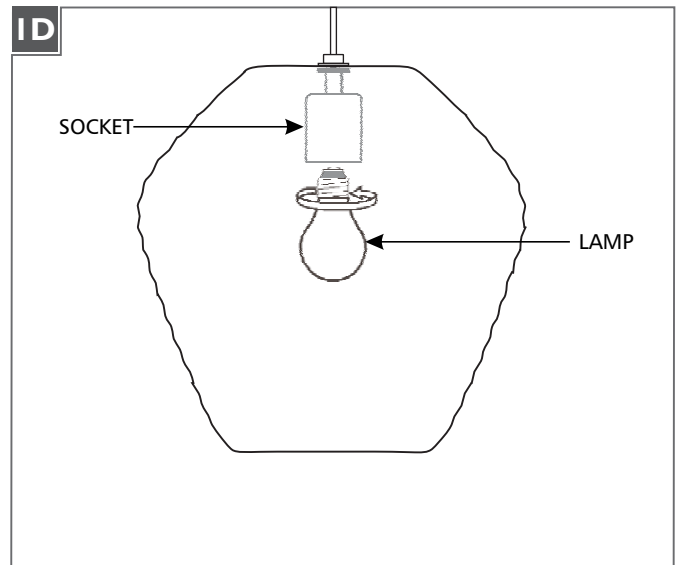


**2** Ensure that the silicone washer and flat washer remain in place and feed the fixture cord through the shade.

**3** Reinstall the cap onto the cord.



**1** Insert the socket assembly nipple through the top of the shade and secure it in place with the cap.



**CAUTION:** To reduce the risk of a burn or electric shock during re-lamping, disconnect the power to the fixture.

Refer to fixture marking for lamp information.

**1** Screw the lamp into the socket.

**SAVE THESE INSTRUCTIONS!**

**LBL**

7400 Linder Ave, Skokie, IL 60077

800.323.3226 - 847.626.6300

**[www.lblighting.com](http://www.lblighting.com)**

© 2016 LBL Lighting. All rights reserved. The "LBL Lighting" graphic is a registered trademark of LBL Lighting. LBL Lighting reserves the right to change specifications for product improvements without notification.

A Generation Brands Company