

Karif Pendant

LP942_ 1.0



Suspension

GENERAL PRODUCT INFORMATION:



These fixtures are intended to be installed utilizing NEC compliant junction boxes.

This product is suitable for damp locations.

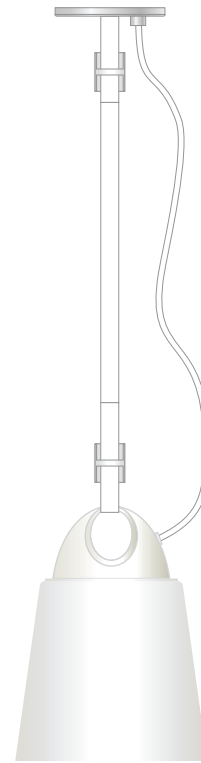
This product may be dimmed with a low voltage electronic dimmer

This instruction shows a typical installation.

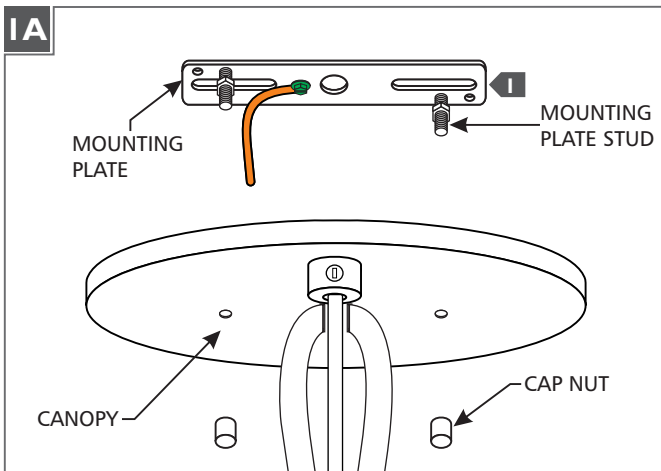
CAUTION - RISK OF FIRE

This product must be installed in accordance with the applicable installation code by a person familiar with the construction and operation of the product and the hazards involved.

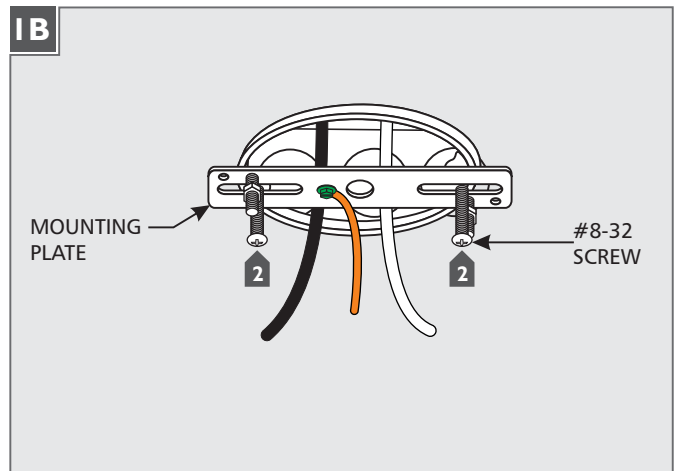
Use minimum 90°C supply conductors.



Install the Mounting Plate

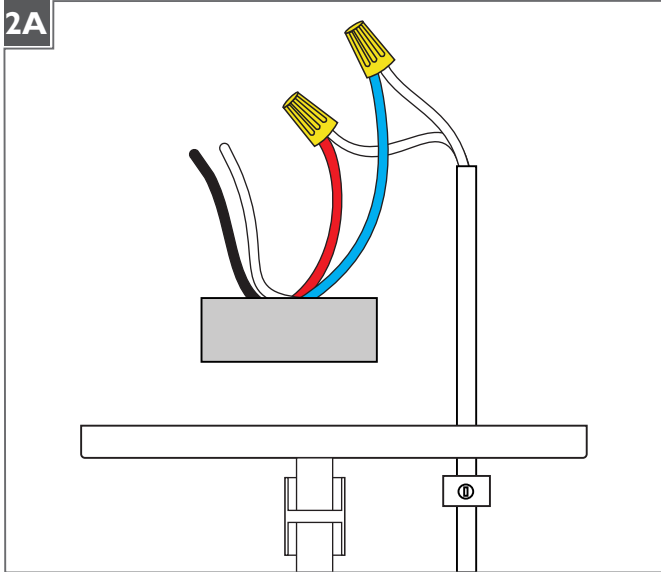


1 Remove the mounting plate from the canopy by unscrewing the cap nuts from the mounting plate studs.

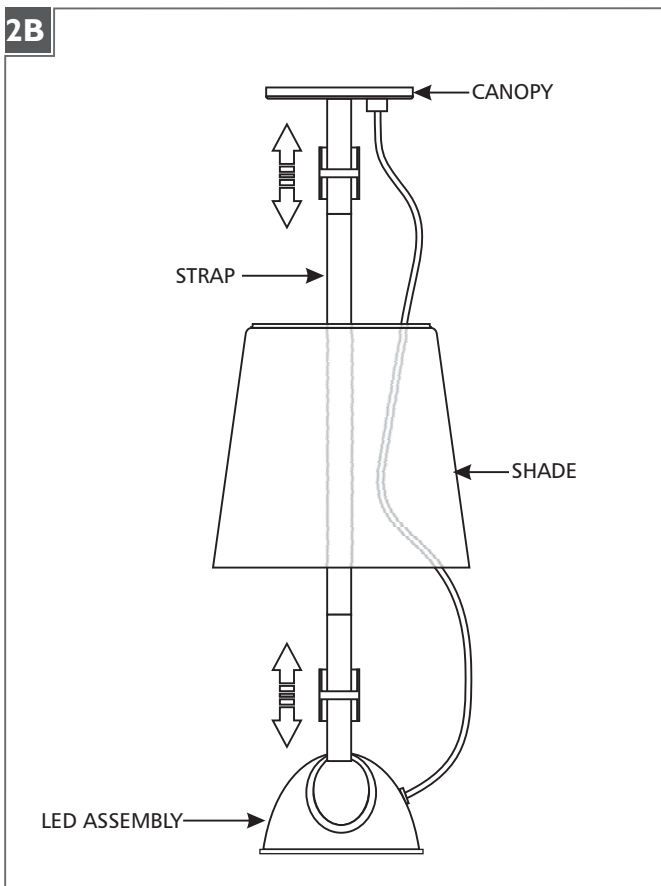


2 Mount the mounting plate assembly to the electrical box with the two provided #8-32 screws.

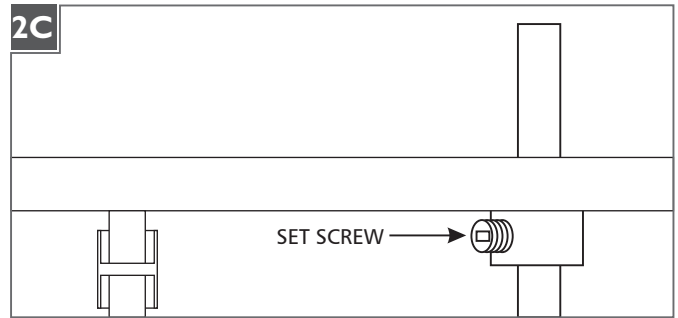
Shorten the Fixture



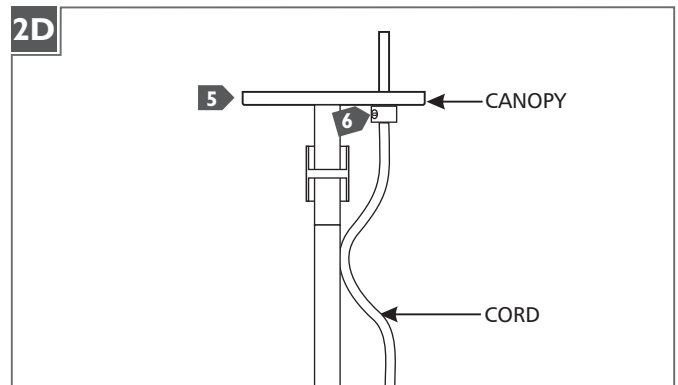
- 1 Take note of the wire connections and remove the wire nuts to disconnect the power cord wires from the driver wires.



- 2 Feed the canopy and LED assembly through the bottom of the shade until the shade rests properly on the LED assembly.
- 3 Evenly adjust the straps up through the canopy and LED assembly to raise or lower the fixture to the desired length.

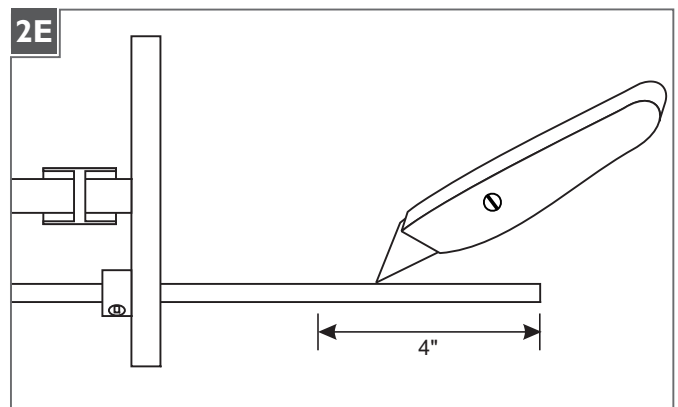


- 4 Loosen (**Do Not Remove**) the set screw on the strain relief.



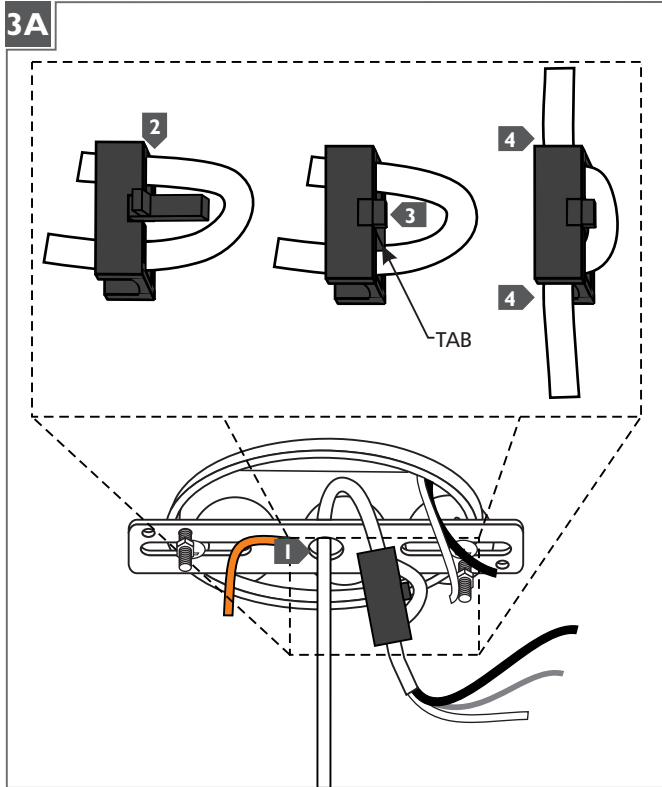
NOTE: The power cord does not support the fixture. For a casual "lazy cord" look, cut the power cord several inches longer than the drop height of the fixture.

- 5 Feed the power cord through the canopy port until the desired look is determined.
- 6 Tighten the set screw on the strain relief.

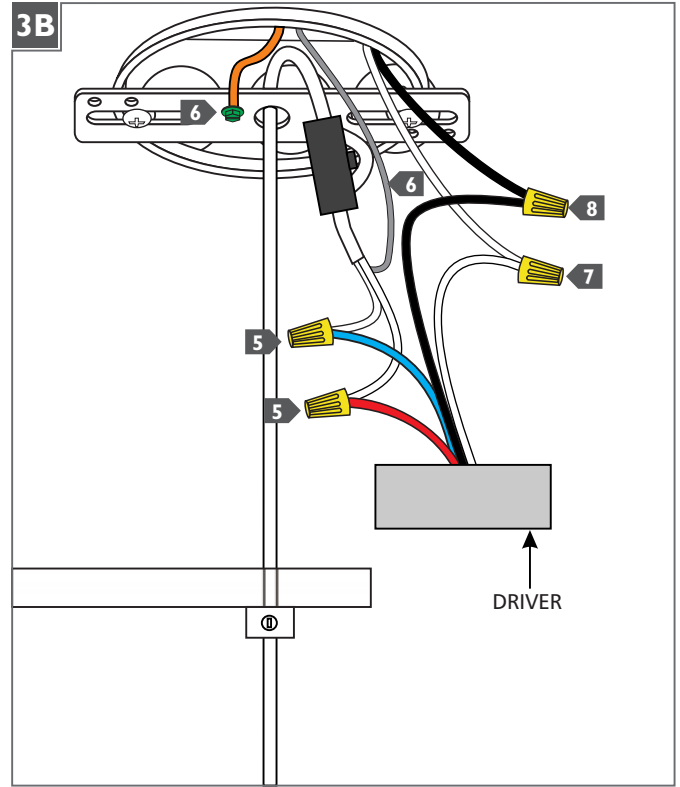


- 7 Leave 6" of the cord behind the canopy for power connections. Cut the excess cord.
- 8 From the end of the cord, strip the insulation 4" using a sharp knife. **Make sure not to nick the inner wires.**
- 9 Strip the end of the wires.

Install the Canopy

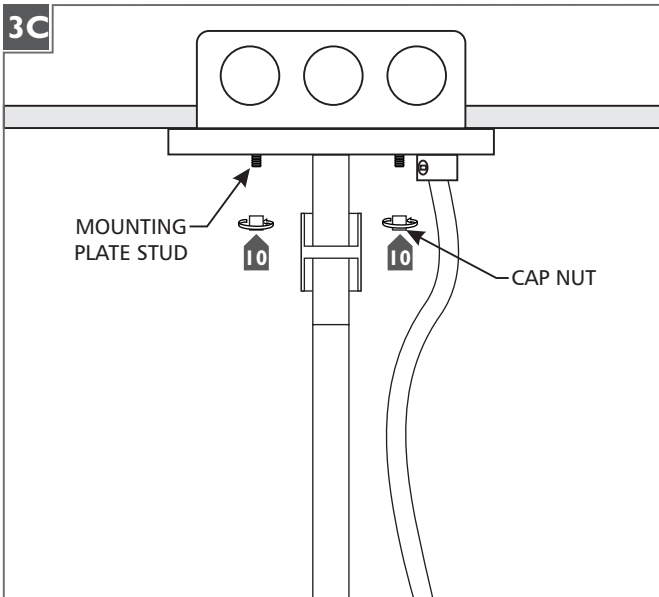


- 1** Feed the fixture wires through the mounting plate center hole and then pull them out of the electrical box. **Note:** If the cord has a cloth cover, peel back or remove the cloth where the secondary strain relief is installed.
- 2** Install the secondary strain relief by first feeding the power cord through it.
- 3** Snap the strain relief tab into place.
- 4** Pull the cord to take up the slack and fit the rest of the cord in the strain relief's openings.



- 5** Reconnect the power cord wires to their original connections (reversal of 2A).
- 6** Connect the mounting plate and the fixture ground wire to a suitable ground in accordance with local electrical codes.
- 7** Connect the white driver wire to the neutral power line wire.
- 8** Connect the black driver wire to the hot power line wire.

3C



NOTE: It is recommended that one person hold the fixture while the electrician finishes the installation.

- 9 Place the driver, all wires, wire nut connections, and the secondary strain relief properly inside the electrical box.
- 10 Place the canopy onto the mounting plate studs and secure it in place with the cap nuts.

SAVE THESE INSTRUCTIONS!

LBL

7400 Linder Ave, Skokie, IL 60077
800.323.3226 - 847.626.6300

www.lblighting.com

© 2016 LBL Lighting. All rights reserved. The "LBL Lighting" graphic is a registered trademark of LBL Lighting. LBL Lighting reserves the right to change specifications for product improvements without notification.

A Generation Brands Company