

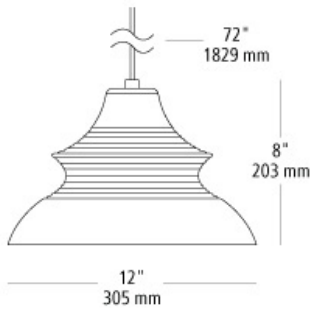
togan low-voltage pendant

DESCRIPTION

Echoes of hand-spun pottery ring through in the symmetrical design of the Mini-Togan pendant light from LBL Lighting. Its spun metal shade features rubberized paint and is offered in fully and partially coated variations. Rated for (1) 50w max, Halogen MR16 lamp. LED includes (1) 8 watt 435 lumen 95 CRI 3000K LED MR16 lamp. LED dimmable with a low-voltage electronic dimmer. Includes 6' of field-cutttable cable.

WEIGHT

1.25lb / 0.57kg ±



ORDERING INFORMATION

model	color	finish	lamp	mount
HS893	WHAL white/aluminum WHWH white/white	SC satin nickel	1A No Lamp LED930 LED MR16 7.5w 95 CRI 3000K	FSJ fusion jack MPT monopoint MRL monorail

FIXTURE TYPE: _____

JOB NAME: _____

NOTES: _____



7400 Linder Avenue
Skokie, Illinois 60077

T 847.626.6300
F 847.626.6350

www.lblighting.com



©2018 LBL Lighting. All Rights Reserved. The "LBL Lighting" graphic is a registered trademark of LBL Lighting. LBL Lighting reserves the right to change specifications for product improvements without notification.