

# Sphere Flush Mount (LED)

FM929\_ 1.1



Ceiling

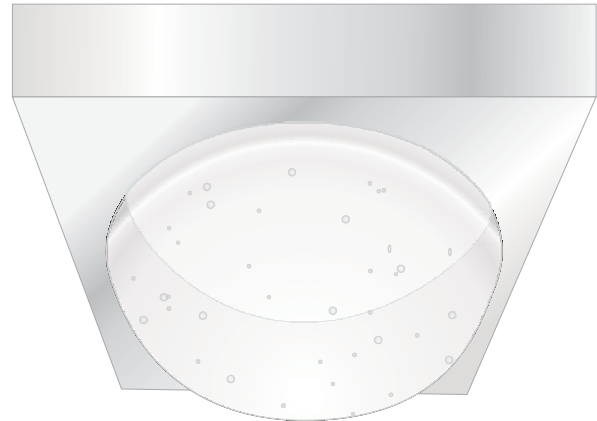
## GENERAL PRODUCT INFORMATION:

This product is suitable for damp locations.

This fixture is intended to be installed utilizing NEC compliant junction boxes.

This product may be dimmed using a low-voltage electronic dimmer or standard incandescent dimmer.

This instruction shows a typical installation.

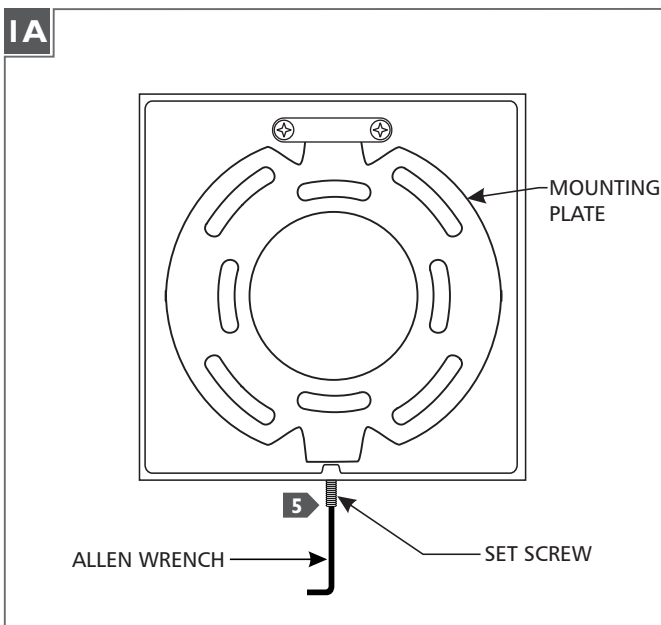


### CAUTION - RISK OF FIRE

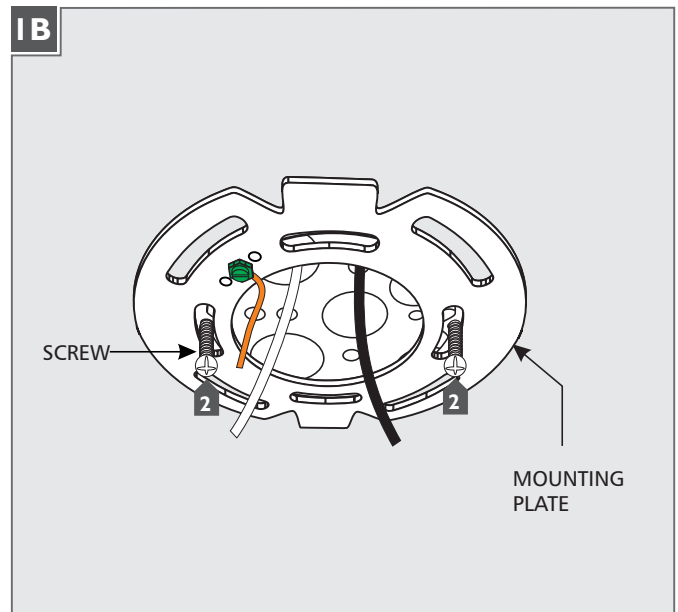
This product must be installed in accordance with the applicable installation code by a person familiar with the construction and operation of the product and the hazards involved.

Use minimum 90°C supply conductors.

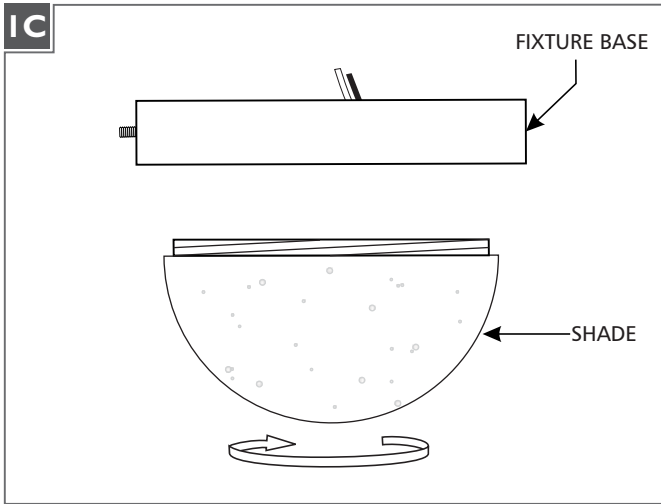
## Install the Fixture



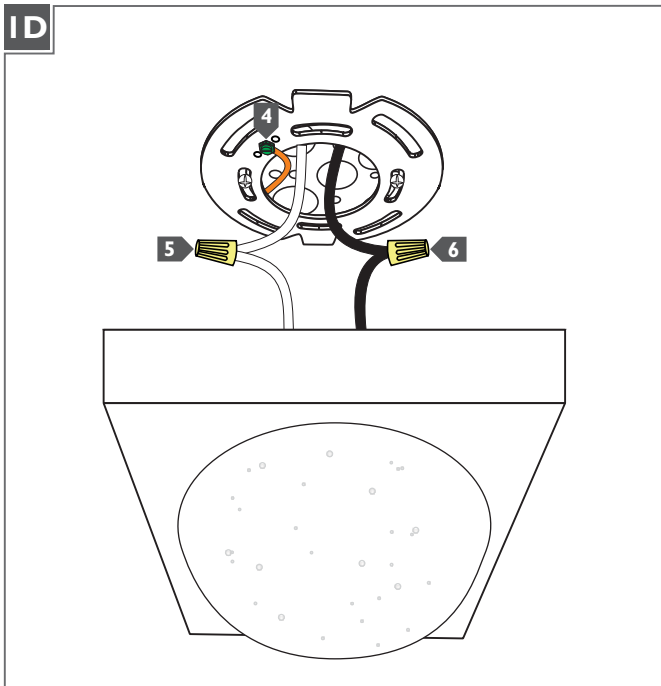
- 1 With the Allen wrench provided, back out (do not fully remove) the set screw at the base of the fixture and remove the mounting plate.



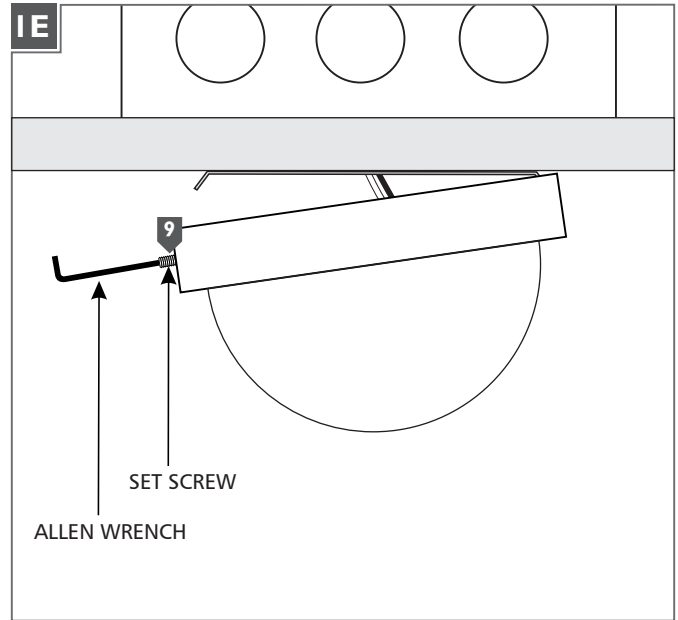
- 2 Attach the mounting plate to the electrical box using the two #8-32 screws provided.



**3** Screw the shade securely into the fixture base.



- 4** Connect the fixture to a suitable ground in accordance with local electrical codes.
- 5** Connect the white fixture wire to the neutral power line wire with a wire nut.
- 6** Connect the black fixture wire to the hot power line wire with a wire nut.



- 7** Properly place all wires and wire nut connections into the electrical box.
- 8** Hook the fixture to the mounting plate and swing the bottom of the fixture toward the plate until it is flush with the wall.
- 9** Tighten the set screw at the side of the fixture.

**CAUTION:** ensure that the fixture is secure to the ceiling!

**SAVE THESE INSTRUCTIONS!**



7400 Linder Ave, Skokie, IL 60077

800.323.3226 - 847.626.6300

[www.lblighting.com](http://www.lblighting.com)

© 2017 LBL Lighting. All rights reserved. The "LBL Lighting" graphic is a registered trademark of LBL Lighting. LBL Lighting reserves the right to change specifications for product improvements without notification.

A Generation Brands Company