

# Capture Ceiling (LED)

FM928\_LED 1.0



## GENERAL PRODUCT INFORMATION:

This fixture is intended to be installed utilizing NEC compliant junction boxes.

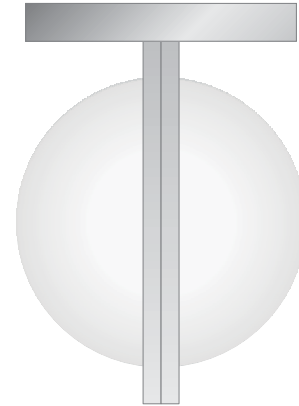


This product is suitable for damp locations.

This product may be dimmed with a low-voltage electronic dimmer.

This product may be ceiling or wall mounted.

This instruction shows a typical installation.

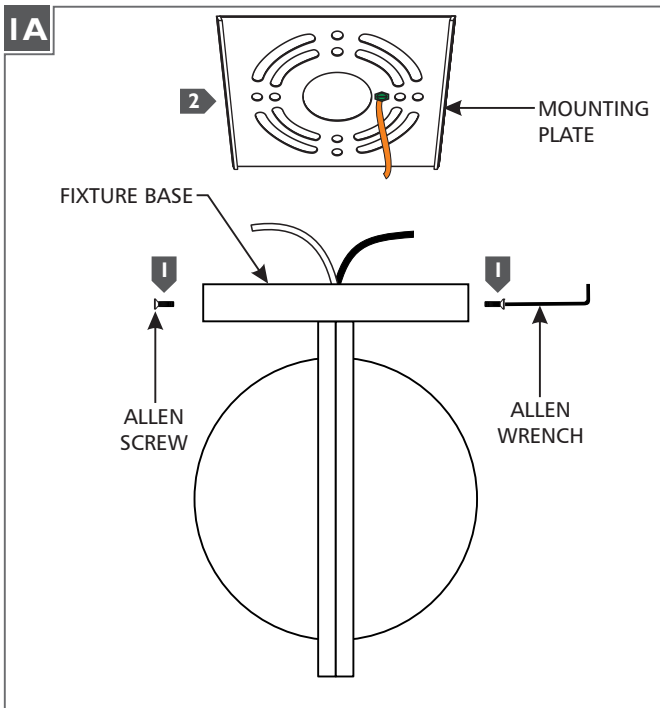


### CAUTION - RISK OF FIRE

This product must be installed in accordance with the applicable installation code by a person familiar with the construction and operation of the product and the hazards involved.

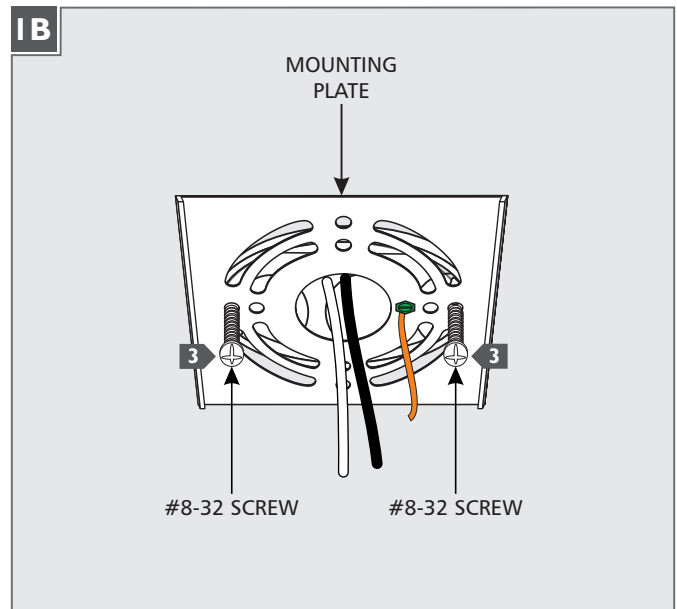
Use minimum 90°C supply conductors.

## Install the Fixture

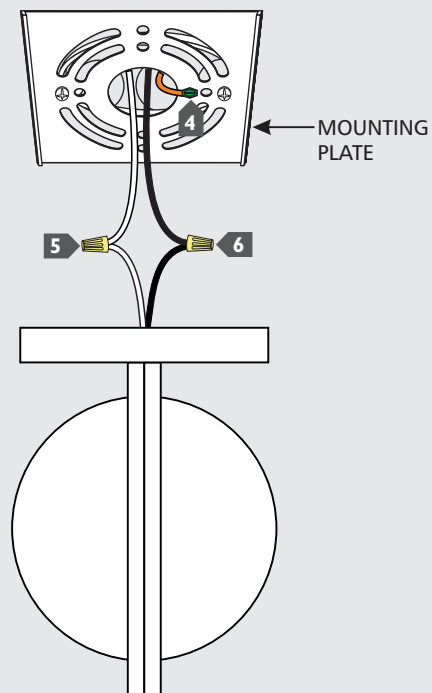


**1** Remove the two Allen screws from the fixture base using the provided Allen wrench.

**2** Remove the mounting plate from the fixture base.



**3** Attach the mounting plate to the electrical box using the two #8-32 screws provided.

**IC**

- 4** Connect the mounting plate ground wire to a suitable ground in accordance with local electrical codes.
- 5** Connect the white driver wire to the neutral power line wire with a wire nut.
- 6** Connect the black driver wire to the hot power line wire with a wire nut.
- 7** Mount the fixture by sliding it back onto the mounting plate and reinstalling the fixture screws (reversal of figure 1A).

**SAVE THESE INSTRUCTIONS!****LBL**

7400 Linder Ave, Skokie, IL 60077

800.323.3226 - 847.626.6300

**[www.lblighting.com](http://www.lblighting.com)**

© 2016 LBL Lighting. All rights reserved. The "LBL Lighting" graphic is a registered trademark of LBL Lighting. LBL Lighting reserves the right to change specifications for product improvements without notification.

A Generation Brands Company