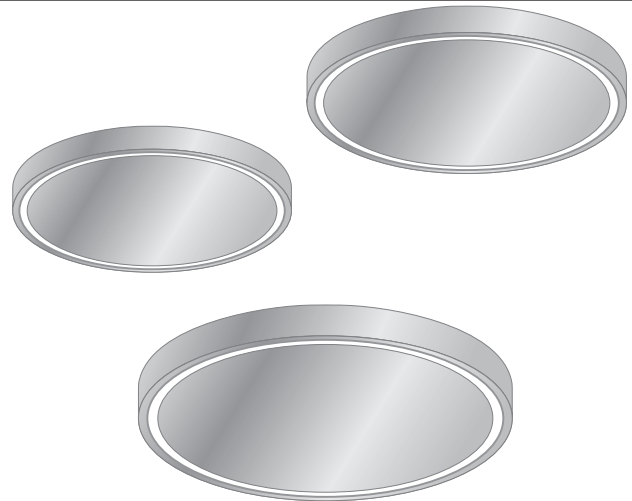


# Crest Flush Mounts

FM894, FM895, FM896\_LED 1.0



## GENERAL PRODUCT INFORMATION:

This fixture are intended to be installed utilizing NEC compliant junction boxes.



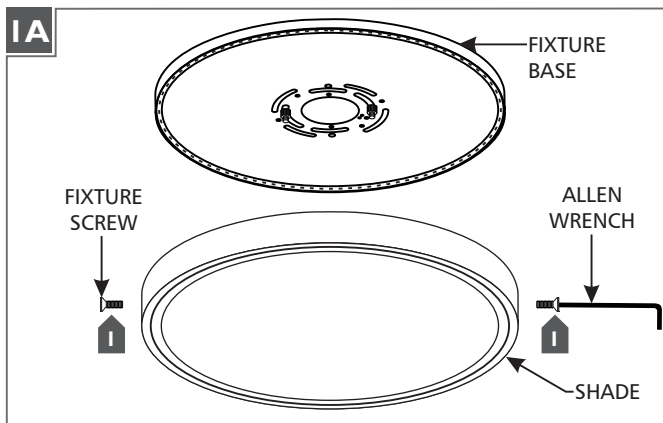
This product is suitable for damp locations.

This product can be dimmed with a low voltage electronic dimmer.

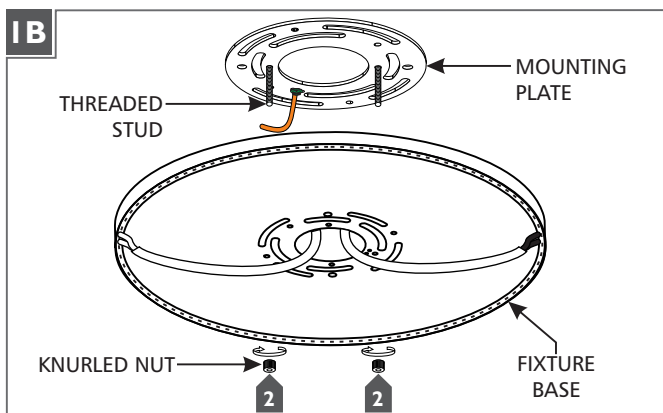
This product may be ceiling or wall mounted.

**CAUTION - RISK OF FIRE**  
 This product must be installed in accordance with the applicable installation code by a person familiar with the construction and operation of the product and the hazards involved.  
 Use minimum 90°C supply conductors.

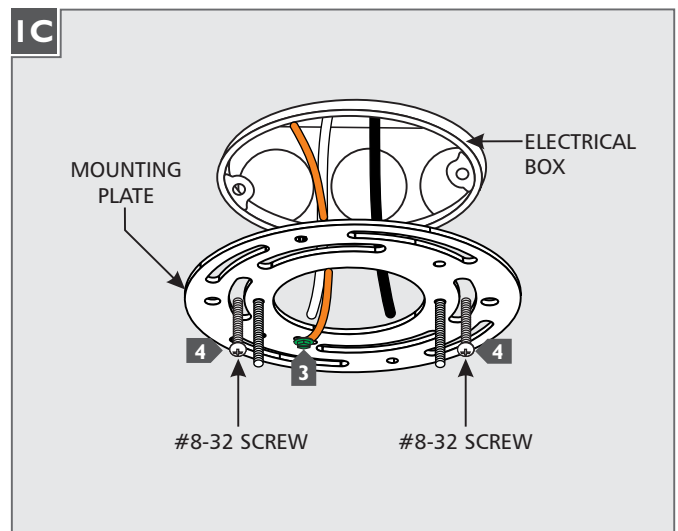
## Install the Mounting Plate



**1** Separate the fixture base from the shade by unscrewing and removing the three fixture screws using an Allen wrench.

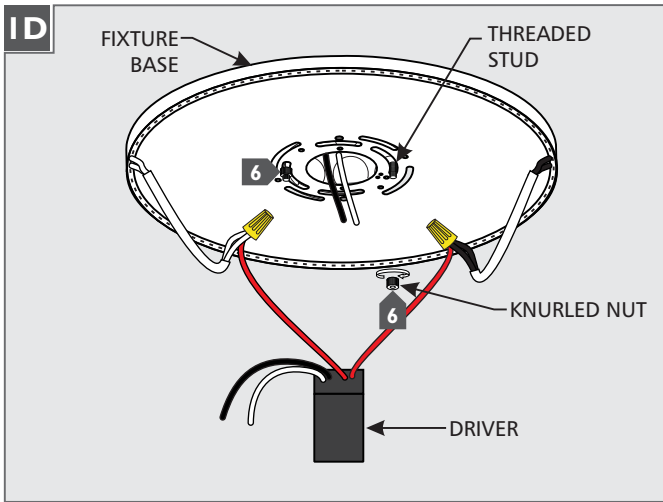


**2** Remove the mounting plate from the fixture base by unscrewing the two knurled nuts from the two threaded studs.

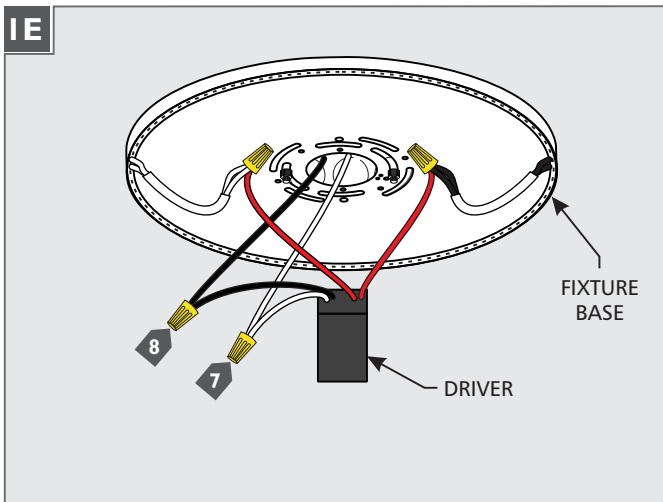


**3** Connect the fixture to a suitable ground in accordance with local electrical codes.

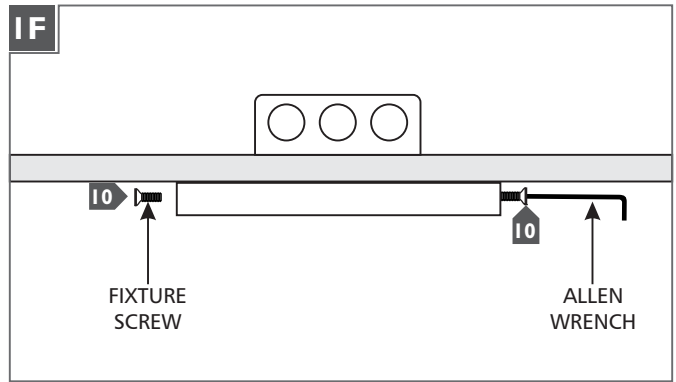
**4** Mount the mounting plate to the electrical box with the two #8-32 screws.



- 5 Feed the driver and power line wires through the fixture base center hole.
- 6 Install the fixture base onto the mounting plate studs and secure it in place with the knurled nuts.



- 7 Connect the white driver wire to the neutral power line wire with a wire nut.
- 8 Connect the black driver wire to the hot power line wire with a wire nut.



- 9 Feed the driver, wires, and wire nut connections back through the fixture base center hole and into the electrical box.
- 10 While supporting the shade from the outer ring, align the holes on the shade with the holes on the fixture base. **Do not support from inner metal disc.** Secure the fixture in place by tightening the three fixture screws using an Allen wrench.

**SAVE THESE INSTRUCTIONS!**



7400 Linder Ave, Skokie, IL 60077  
800.323.3226 - 847.626.6300

[www.lblighting.com](http://www.lblighting.com)

© 2016 LBL Lighting. All rights reserved. The "LBL Lighting" graphic is a registered trademark of LBL Lighting. LBL Lighting reserves the right to change specifications for product improvements without notification.

A Generation Brands Company