

Vantra Flush Mount

FM853_ 1.0



GENERAL PRODUCT INFORMATION:

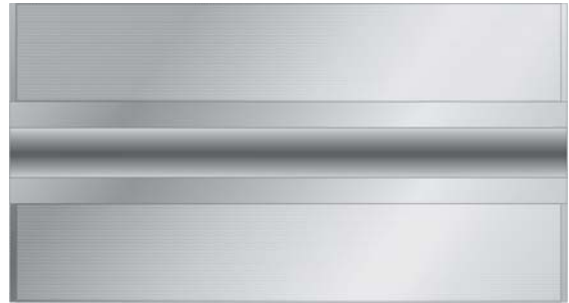


This fixture are intended to be installed utilizing NEC compliant junction boxes.

This product is suitable for damp locations.

This product can be dimmed with a standard electronic dimmer or a 0-10V dimmer depending on the wiring configuration.

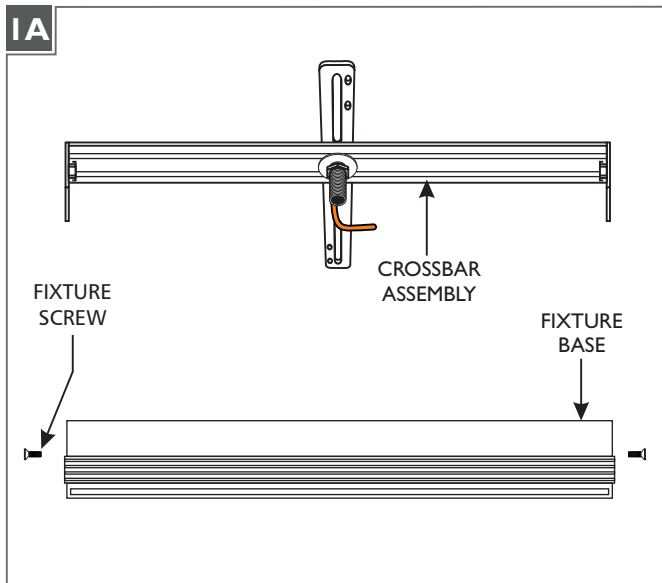
This product may be ceiling or wall mounted.



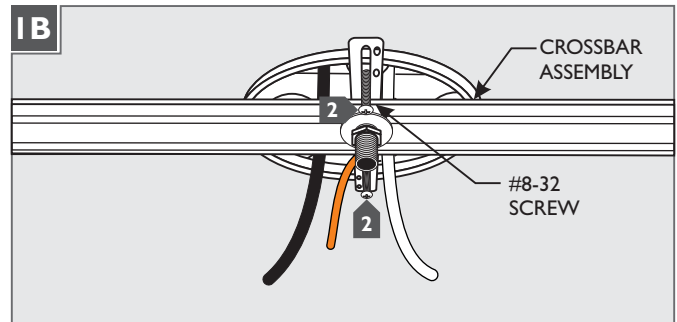
WARNING: DO NOT REMOVE THE WHITE ADHESIVE FILM from the back and sides of this fixture. Only **REMOVE THE CLEAR PROTECTIVE FILM** which is located on the front of the fixture.

CAUTION - RISK OF FIRE
This product must be installed in accordance with the applicable installation code by a person familiar with the construction and operation of the product and the hazards involved.
Use minimum 90°C supply conductors.

Install the Mounting Plate

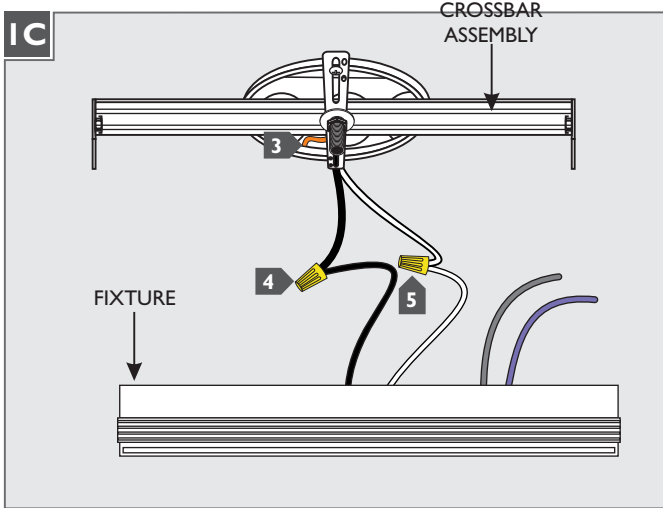


1 Separate the crossbar assembly from the fixture base by unscrewing and removing the two fixture screws.



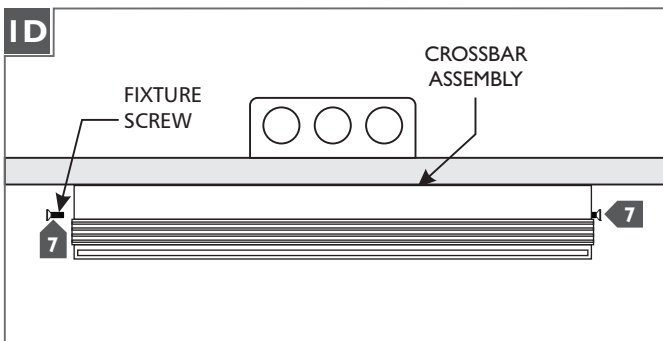
Note: If necessary, loosen the nut on the crossbar to adjust it to the desired position.

2 Mount the crossbar assembly to the electrical box with the two provided #8-32 screws.



- 3** Connect the fixture to a suitable ground in accordance with local electrical codes.
- 4** Connect the black driver wire to the hot power line wire with a wire nut.
- 5** Connect the white driver wire to the neutral power line wire with a wire nut.

Note: This fixture has 0-10V dimming capability. Connect the purple and gray wire if applicable.



- 6** Place all wires and wire nut connections inside the fixture base.
- 7** Align the fixture base holes with the crossbar assembly holes. Secure the fixture in place by tightening the two fixture screws.

SAVE THESE INSTRUCTIONS!

LBL

7400 Linder Ave, Skokie, IL 60077
800.323.3226 - 847.626.6300

www.lblighting.com

© 2015 LBL Lighting. All rights reserved. The "LBL Lighting" graphic is a registered trademark of LBL Lighting. LBL Lighting reserves the right to change specifications for product improvements without notification.

A Generation Brands Company