

## PRODUCT FEATURES

- Elegant contemporary style using on-trend combinations of metal and glass
- Small scale perfect for accent lighting applications
- Adaptable to modern wall lighting and warm contemporary wall lighting applications
- High quality, dimmable integrated LED lamping with glare-free light diffusion
- Coordinating Akova pendant lights and Akova ceiling lights also available from Tech Lighting
- Protected by a 5-year warranty, please visit [www.techlighting.com](http://www.techlighting.com) for details

## LAMPING

Includes 14 watt, 556 delivered lumen, 2700K or 3000K LED module. Dimmable with low-voltage electronic or triac dimmer.



Matte Black /  
Aged Brass



Aged Brass /  
Bright Brass



Matte Black /  
Aged Brass

## ORDERING INFORMATION

### 700WSAKV COLOR

RR AGED BRASS/BRIGHT BRASS  
BR MATTE BLACK/AGED BRASS

### LAMP

-LED927 LED 90 CRI 2700K 120V

700WSAKV \_\_\_\_\_

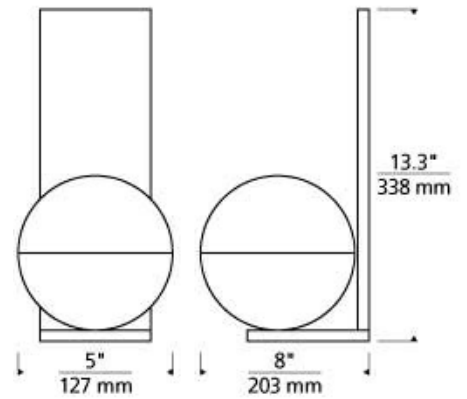
JOB NAME \_\_\_\_\_

NOTES \_\_\_\_\_



## SPECIFICATIONS

HARDWARE MATERIAL	Metal
SHADE MATERIAL	Acrylic
NET WEIGHT	6 lbs
HEIGHT	13.3in
WIDTH	8in
LENGTH	5in
MIN. EXTENSION FROM WALL	8in
UP LIGHT / DOWN LIGHT / BOTH?	
WET LISTED	
DAMP LISTED	
DRY LISTED	
UP / DOWN	
HORIZONTAL / VERTICAL	
WALL / CEILING MOUNT	
SLOPED CEILING ADAPTABLE?	No
GENERAL LISTING	ETL Listed
ADA COMPLIANT	
INCLUDES	



## LAMPING SPECIFICATIONS

	LED LAMP	INTEGRATED LED	NON LED	NO LAMP
DELIVERED LUMENS		556		
WATTS		14		
MAX WATTAGE PER BULB		14W		
INPUT VOLTAGE		120V		
DIMMING TYPE*		ELV		
CCT		2700K		
CRI		90 CRI		
LED LIFETIME				
L70				
AVERAGE BULB HOURS		30000		
FIELD SERVICEABLE LED				
LAMP BASE		Integrated LED		
LAMP SHAPE		Integrated LED		
LAMP INCLUDED?		Y		
WARRANTY**		5 Years		

\*Dimming information available at [www.techlighting.com/Downloads#dimming](http://www.techlighting.com/Downloads#dimming)

\*\* Visit [techlighting.com](http://techlighting.com) for specific warranty limitations and details.

## T20 / T24 INFORMATION

	Integrated LED	Replacement LED Lamp	No Lamp *
This product can be used to comply with California Building Energy Efficiency Standards 2016 <b>Title 24</b> Part 6.	No		
This product can be used to comply with California Appliance Efficiency Standards 2016 <b>Title 20</b> and may be shipped to and sold in California.	Yes		

\* If a light fixture or component does not include a lamp or light source, it is the responsibility of the customer to select a lamp that meets the T24 and T20 requirements.

