

Essence Suspension

700LSESN1_ 1.0

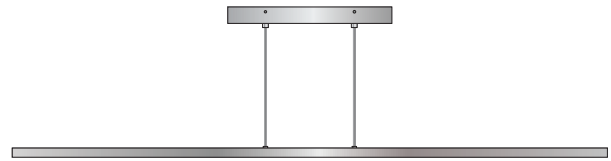


GENERAL PRODUCT INFORMATION:

This product is suitable for damp locations.

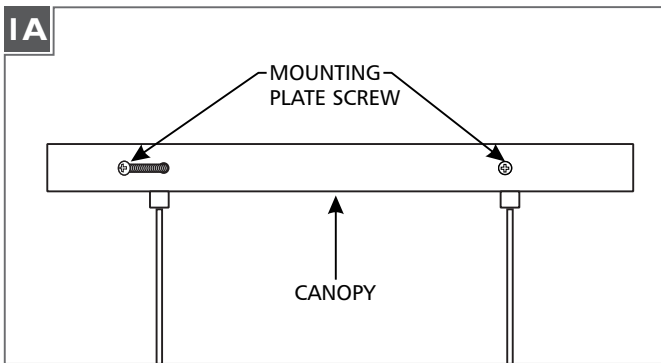
This product may be dimmed with a low-voltage electronic dimmer.

These fixtures are intended to be installed utilizing NEC compliant junction boxes.

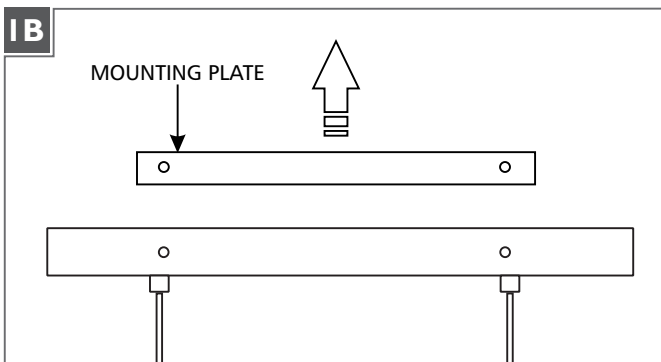


CAUTION - RISK OF FIRE
This product must be installed in accordance with the applicable installation code by a person familiar with the construction and operation of the product and the hazards involved.
Use minimum 90°C supply conductors.

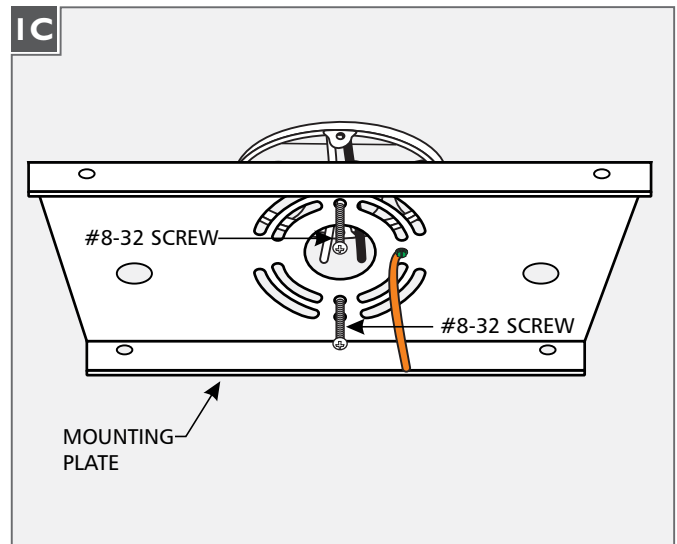
Install the Mounting Plate



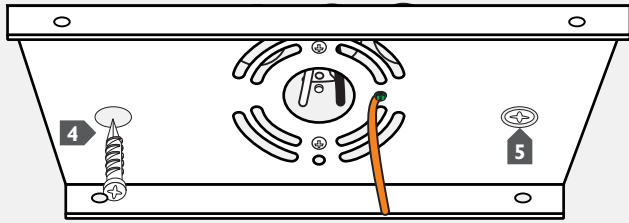
1 Separate the mounting plate from the canopy by removing all four mounting plate screws with a screw driver.



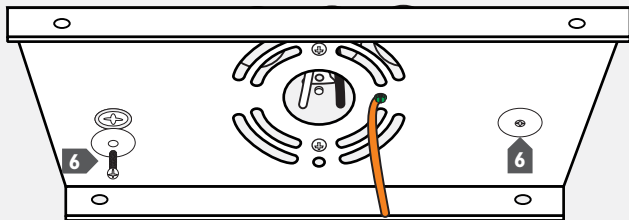
2 Remove the mounting plate from the canopy.



3 Secure the mounting plate to the electrical box with the two #8-32 screws provided.

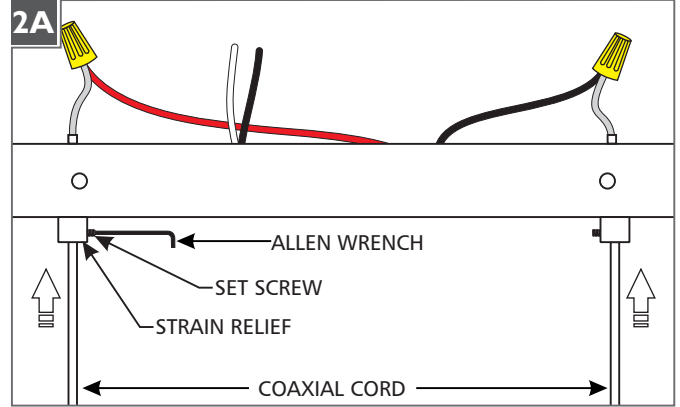
ID

- 4** Line up an anchor with the center of a backplate hole and push the anchor in, up to the threads.
- 5** Screw the anchors the rest of the way in with a screwdriver.

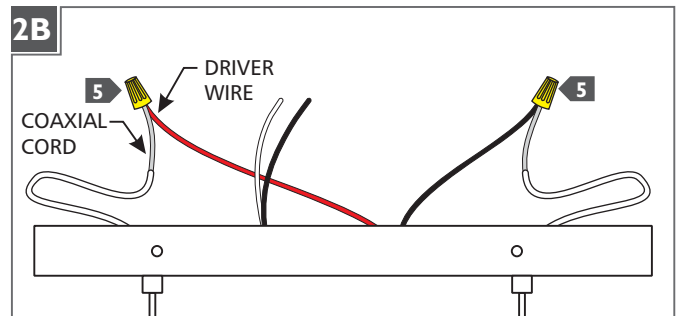
IE

- 6** Secure the backplate to the anchors with screws and washers.

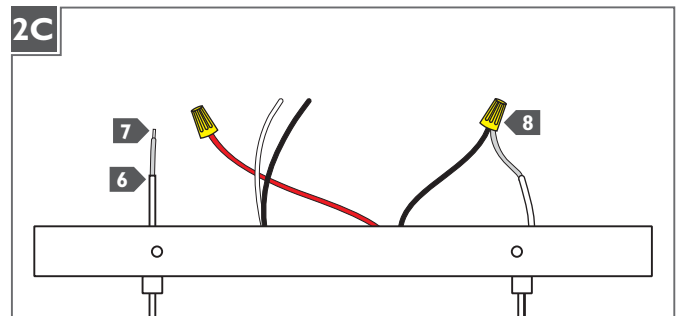
Shorten the Coaxial Cords (optional)

2A

- 1** Place the fixture on a level surface.
- 2** With the provided Allen wrench, loosen (do not remove) the set screws on the strain reliefs.
- 3** Evenly pull the coaxial cables up through the strain reliefs to raise the fixture to the desired height.
- 4** Ensure that the canopy is level and re-tighten the set screws on the strain reliefs.

2B

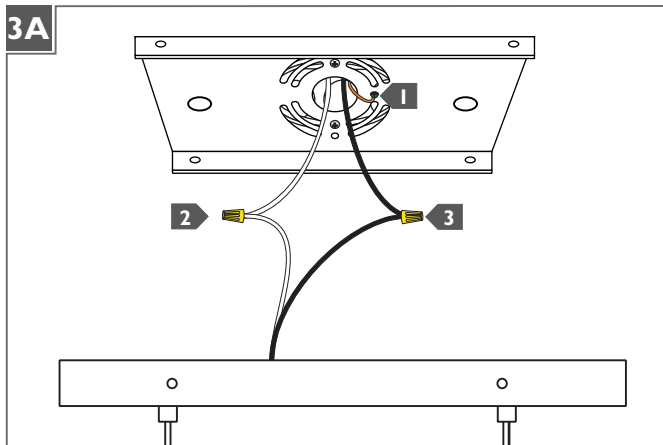
- 5** If shortening of the coaxial cords is necessary, take note of the wire connections from the coaxial cables to the driver and remove the wire nuts.

2C

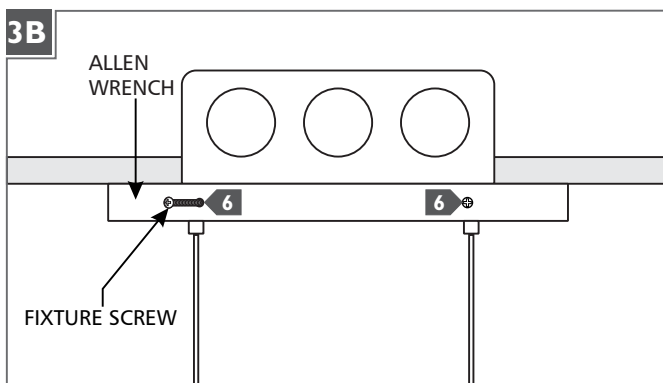
- 6** Leave 6" behind for wire connections, cut off the excess cord.
- 7** From the end of the cord, strip the insulation 4" using a sharp knife. **Make sure not to nick the inner wires.**
- 8** Strip the ends of the wires and reconnect the wires to their original connections using the wire nuts.

Install the Fixture

NOTE: It is recommended that one person hold the fixture while the electrician connects the power and installs the canopy.



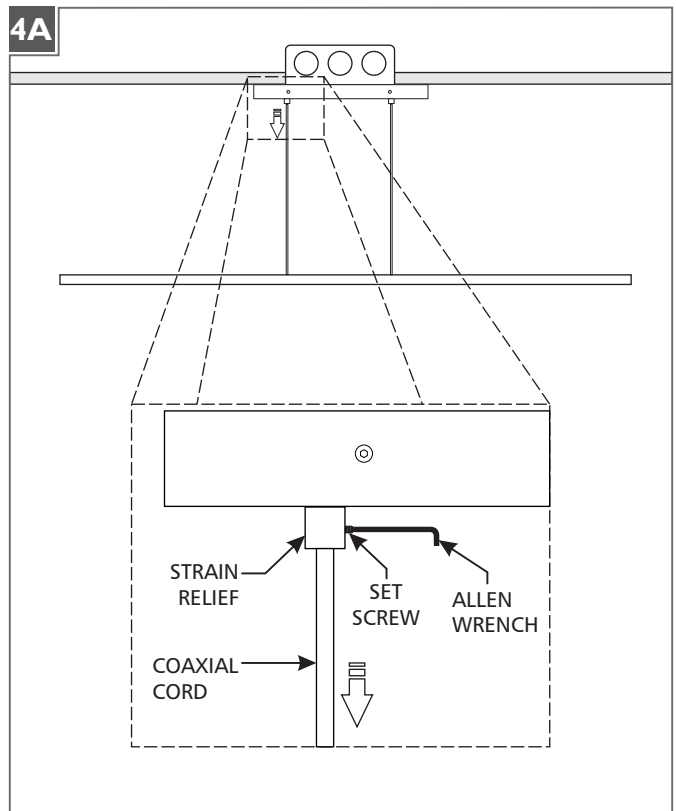
- 1** Connect the fixture to a suitable ground in accordance with local electrical codes.
- 2** Connect the white driver wire to the neutral power line wire with a wire nut.
- 3** Connect the black driver wire to the hot power line wire with a wire nut.



- 5** Place all wires and wire nut connections inside the canopy.
- 6** Align the canopy holes with the mounting plate holes. Secure the canopy in place by tightening the four fixture screws.

Fine Leveling (Optional)

NOTE: If minor adjustments to the fixtures leveling is necessary, it is recommended that one person hold the fixture straight with the use of a level while the other adjusts the coaxial cable following the steps below.



- 1** Using the provided Allen wrench, loosen (do not remove) the set screws on the needed strain relief.
- 2** Gently pull or push the coaxial cable in very small increments through the strain relief to adjust the height of the fixture.
- 3** Re-tighten the set screw on the strain relief.

SAVE THESE INSTRUCTIONS!



7400 Linder Ave, Skokie, IL 60077
847.410.4400

www.techlighting.com

© 2018 Tech Lighting, L.L.C. All rights reserved. The "Tech Lighting" graphic is a registered trademark of Tech Lighting, L.L.C. Tech Lighting reserves the right to change specifications for product improvements without notification.

A Generation Brands Company