

# Essence Linear

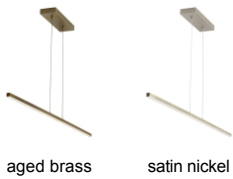
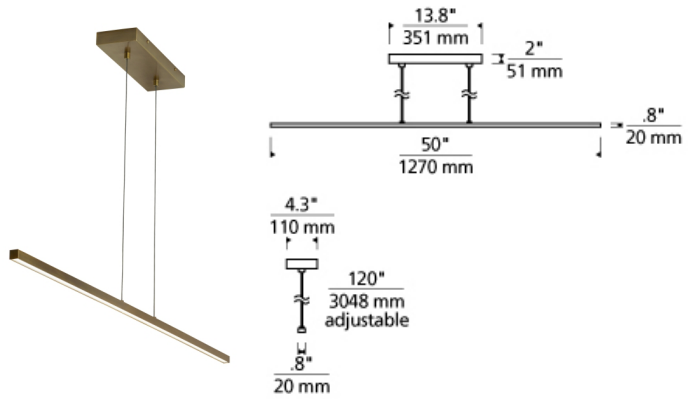
LED T20

## DESCRIPTION

The ultimate in modern minimalism, the clean horizontal line of the Essence linear light chandelier by Tech Lighting will make a dramatic statement while not detracting from beautiful room surroundings. Warm glowing LED light emits downward with its high performance, energy efficient, integrated LED light source at 3000K and 90 CRI. Ideal for a dining room table light, kitchen island light, living room light or conference room table light, Essence is available in either an Aged Brass finish with Bronze cable or Satin Nickel finish with Clear cable. Its dimensions are a thin .75" high, 50" long, and 7.5" wide. Damp-rated and dimmable. Includes 10' of field-cuttable cable. LED includes (1) 20w watt 1440 delivered lumens 90 CRI 3000K LED module. Dimmable with a low-voltage electronic dimmer. 120v

## WEIGHT

4-4.5lb / 1.81-2.04kg ±



aged brass

satin nickel

## ORDERING INFORMATION

700LSESN1 FINISH

LAMP

R AGED BRASS  
S SATIN NICKEL

-LED930 INTEGRATED LED 90 CRI 3000K 120V



**TECH LIGHTING®**

7400 Linder Avenue  
Skokie, Illinois 60077

T 847.410.4400  
F 847.410.4500

Tech Lighting, L.L.C.

700LS ESN1 \_\_\_\_\_

FIXTURE TYPE: \_\_\_\_\_

JOB NAME: \_\_\_\_\_

NOTES: \_\_\_\_\_

\_\_\_\_\_

\_\_\_\_\_

\_\_\_\_\_



©2018 Tech Lighting, L.L.C. All Rights Reserved. The "Tech Lighting" graphic is a registered trademark of Tech Lighting, L.L.C. Tech Lighting reserves the right to change specifications for product improvements without notification.