



## STR : LED LINEAR STRIP

### DESCRIPTION

- Ideal choice for size-restricted architectural applications
- Steady performance and long lifetime
- Continuous dimming to 10%

### LISTINGS

- UL Listed for dry/damp locations
- DesignLights Consortium® Premium Qualified - meets the requirements for the highest DLC qualification for efficacy and lumen maintenance

### LED CHARACTERISTICS

- Rated lifetime L70: 50,000 hours
- 4000K, 5000K CCT
- CRI: 80+
- 2C: 3,013lm @ 23W (131 lpw)
- 3C: 4,224lm @ 32W (132 lpw)
- 4C: 6,026lm @ 46W (131 lpw)

### ELECTRICAL

- Input voltage: 100-277V
- Dimmable power supply (0-10V)
- Power Factor: >.90
- THD: <20%

### CONSTRUCTION

- -4°F to 122°F (-20°C to +50°C) operating temperature

### WARRANTY

- 5 year limited warranty; see eiko.com for warranty details

project name	type
catalog number	
comments	voltage
approved by	date



### APPLICATIONS

- Storage areas
- Utility areas
- Coves
- Display cases
- Retail
- Task lighting
- General area lighting



## ORDERING INFORMATION

EXAMPLE: STR-2C-50K-U

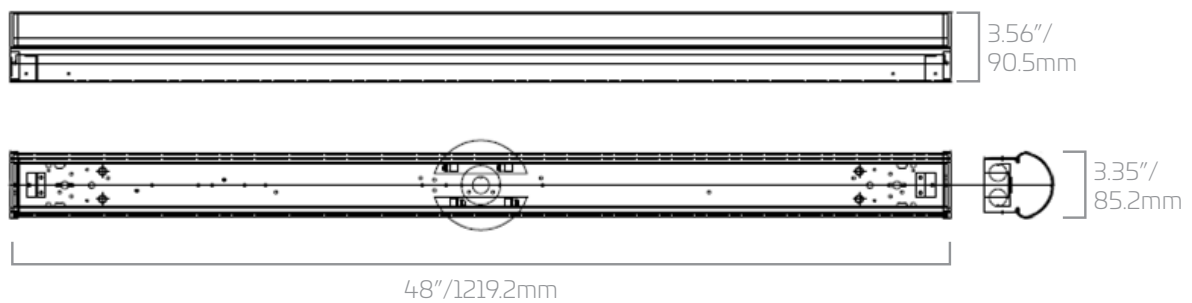
Model	Package	CCT	Voltage
STR : LED Linear Strip	<b>2C</b> - 23W; 3,000/3,013 lm <b>3C</b> - 32W; 4,000/4,224 lm <b>4C</b> - 46W; 6,000/6,026 lm	<b>40K</b> - 4000K <b>50K</b> - 5000K	<b>U</b> - 100-277V

## PERFORMANCE SUMMARY

Order Code	Item #	Watts	Lumens	CCT	CRI	Volts	Fluor. Equiv.	DLC Premium
09534	STR-2C-40K-U	23W	3,013	4000K	80+	120-277VAC	48W	✓
09820	STR-2C-50K-U	23W	3,000	5000K	80+	120-277VAC	48W	✓
09535	STR-3C-40K-U	32W	4,224	4000K	80+	120-277VAC	75W	✓
09821	STR-3C-50K-U	32W	4,200	5000K	80+	120-277VAC	75W	✓
09536	STR-4C-40K-U	46W	6,026	4000K	80+	120-277VAC	100W	✓
09822	STR-4C-50K-U	46W	6,000	5000K	80+	120-277VAC	100W	✓

✓DesignLights Consortium® Premium Qualified

## DIMENSIONS



## AVAILABLE ACCESSORIES

Order Code	Item #	Description
09823	STR-LCK	LED Strip, Linear Connection Kit
09843	STR-LENS	Replacement Lens for STR Fixtures
09788	STR-4-WG-W	Wire Guard, 4 ft. LED Strip, White
09849	FHSCP-UNV-5WL	5W Emergency Battery Backup
09851	FHSCP-UNV-7.8WL	7.8W Emergency Battery Backup
09850	FHSCP-UNV-10.7WL	10.7W Emergency Battery Backup
09852	FHSCP-UNV-13.7WL	13.7W Emergency Battery Backup
09854	FHSCP-UNV-17WL	17W Emergency Battery Backup
09843	STR-LENS	Replacement Lens for STR Fixtures

# PHOTOMETRICS

ZONAL LUMEN SUMMARY		
Zone	Lumens	%Fixture
0-30	10574	26.5%
0-40	17015	42.7%
0-60	29063	72.9%
60-90	8293	20.8%
70-100	4593	11.5%
90-120	1563	3.9%
0-90	39357	93.7%
90-180	2531	6.3%
0-180	41,088.8	100%

