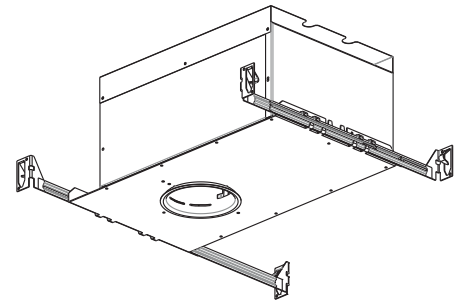




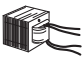




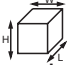
SPECIFICATION SHEET

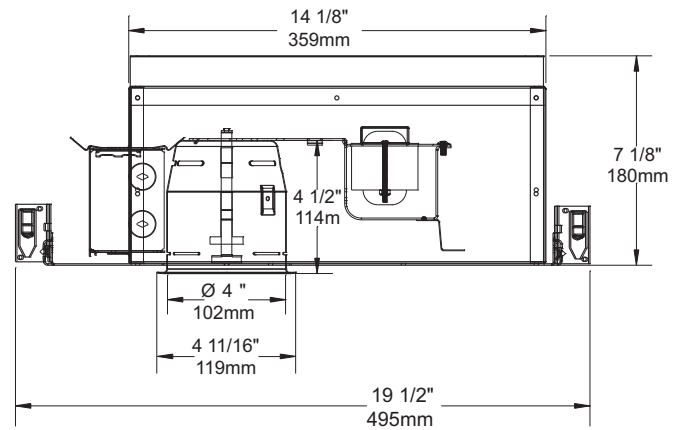
4" 2000 SERIES

ISMR2000M ISMR2000M2 ISMR2000M3

INSULATED CEILING HOUSING WITH MAGNETIC TRANSFORMER



	YES
Damp Location	
	MR16 50W MAX
MR16	
	Magnetic Transformer EC50M 50 VA 120V / 12V EC50M2 50 VA 277V / 12V EC50M3 50 VA 347V / 12V
Magnetic Transformer	
	ISMR2000M : 120 VOLTS (CAN & USA) ISMR2000M2 : 277 VOLTS (USA ONLY) ISMR2000M3 : 347 VOLTS (CAN ONLY)
Voltage	
	T°C 110°C No 029
Thermal Protector	
	4 1/4" (108mm)
OD Cut	
	E174023
UL LISTED	
	Overall Dimensions : Length : 19 1/2" (495mm) Width : 10" (254mm) Height : 7 1/8" (180mm)
Dimensions	



COMPATIBLE TRIMS

R2000	R2051	R2130VSM	T2010V
R2000VSM	R2100	R2130VST	T2000VL
R2000VST	R2100VSM	R2450VT	T2010VL
R2010VSM	R2100VST	S2000	T2000VS
R2010VST	R2100VT	S2051	T2010VS
R2020	R2110VSM	S2100	T2000VLS
R2030VSM	R2110VST	T2000	T2010VLS
R2030VST	R2120	T2000V	

OPTIONS

CHICAGO PLENUM

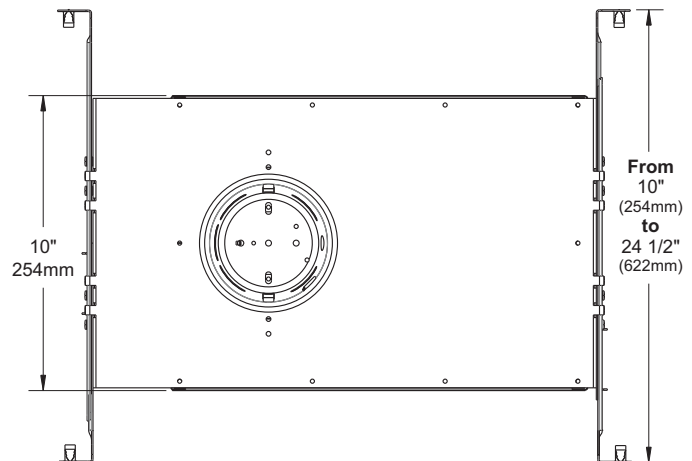
Requirement for all lighting fixtures installed in the city of Chicago. Complies for ceiling air Plenum. Code : ISMR2000MP

TITLE 24

Complies with California State Title 24 Energy Code. Code : ISMR2000MW

TECHNICAL SPECIFICATIONS

0,021" (0,53mm) thickness Galvanized Steel.
Below-ceiling accessible.
Hooks PAT#CAN 2,088,648 and #USA 5,377,088.
Takes up to 7/8" thick ceiling.
Perfect fit into ceiling.
No light leak.



Your representative : _____

Your project : _____